

# OS Series

Remarkably increased maximum submersible depth by a high pressure endurance mechanical seal.

Efficient motor cooling by a one-way channel;  
Space economy by a top outlet.

## Standard Accessories

- Cabtyre cable ..... 1pc
- Hose coupling ..... 1pc

## Optional Specifications

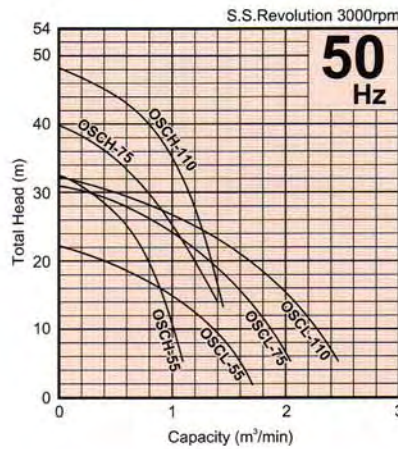
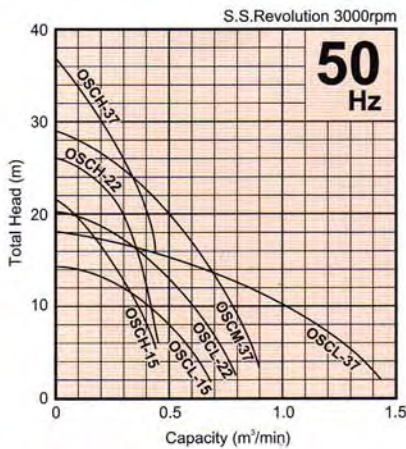
- Extended cable
- Special paint



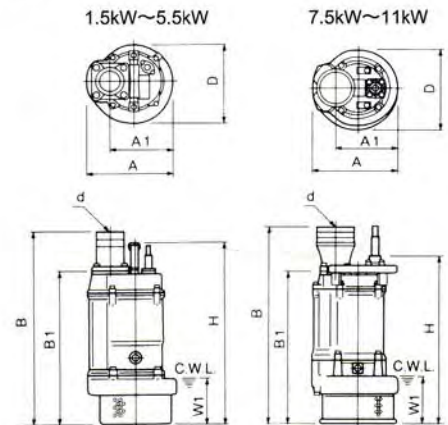
## Major Standard Specifications

Item		Discharge bore size mm	50	80	100	150
Pumping fluid	Type of fluid	Spring water, Rain water, Ground water, Sand carrying water				
	Liquid temperature	0~40°C				
Pump	Components	Impeller	Open Type			
		Shaft seal	Double mechanical seal, Water pressure endurance, 5kgf/cm <sup>2</sup> {0.49MPa/cm <sup>2</sup> } (1.5~2.2kW) · 10kgf/cm <sup>2</sup> {0.98MPa/cm <sup>2</sup> } (3.7~11kW)			
	Bearing	Shielded ball bearing				
	Materials	Impeller	Chromium iron casting			
Motor	Casing	Gray iron casting				
	Suction cover	Ductile iron casting				
	Shaft seal (mechanical seal)	Silicon carbide				
Type, poles	Dry-type submersible induction motor, 2 poles					
Insulation	Class E (1.5~5.5kW) B (7.5~11kW)					
Phase/Voltage	Three-Phase/380V, 415V / 50Hz					
Motor protector(Built-in)	Circle thermal protector					
Lubricant	Turbine oil (ISO VG32)					
Materials	Frame	Gray iron casting				
	Shaft	Stainless steel #420				
	Cable	PVC sheath, Chloroprene sheath				
Discharge connection	Hose coupling					

## Performance Curves



## Dimensions



C.W.L.: Continuous Running Water Level

## Specifications

Discharge Bore mm	Model	Motor Output kW	Phase	Total Head m	Capacity m <sup>3</sup> /min	Starting Method	Dry Weight kgs	Length of Cabtyre Cable m	Dimensions mm							C.W.L. mm
									d	A	A1	B	B1	D	H	
50	OSCH-15	1.5	Three-phase	15.0/16.5	0.25	D.O.L.	30	8	50	235	173	509	401	216	478	120
80	OSCL-15	1.5	Three-phase	8.0	0.50	D.O.L.	30	8	80	235	173	509	401	216	478	120
50	OSCH-22	2.2	Three-phase	20.0	0.30	D.O.L.	34	8	50	235	173	529	421	216	498	120
80	OSCL-22	2.2	Three-phase	10.0	0.60	D.O.L.	34	8	80	235	173	529	421	216	498	120
50	OSCH-37	3.7	Three-phase	30.0	0.20	D.O.L.	56	8	50	283	208	615	492	252	625	150
80	OSCM-37	3.7	Three-phase	20.0	0.50	D.O.L.	56	8	80	283	208	615	492	252	625	150
100	OSCL-37	3.7	Three-phase	10.0	1.00	D.O.L.	56	8	100	283	208	630	492	252	625	150
80	OSCH-55	5.5	Three-phase	25.0	0.60	D.O.L.	71	8	80	306	218	643	520	259	653	150
100	OSCL-55	5.5	Three-phase	15.0	1.00	D.O.L.	71	8	100	306	218	658	520	259	653	150
100	OSCH-75	7.5	Three-phase	30.0	0.80	D.O.L.	96	8	100	330	240	738	600	314	661	190
150	OSCL-75	7.5	Three-phase	15.0	1.60	D.O.L.	98	8	150	330	240	773	600	314	661	190
100	OSCH-110	11.0	Three-phase	35.0	1.00	D.O.L.	132	8	100	373	260	794	633	350	728	190
150	OSCL-110	11.0	Three-phase	20.0	1.70	D.O.L.	135	8	150	373	260	814	633	350	728	190

• Dry weight of the pump excluding cable

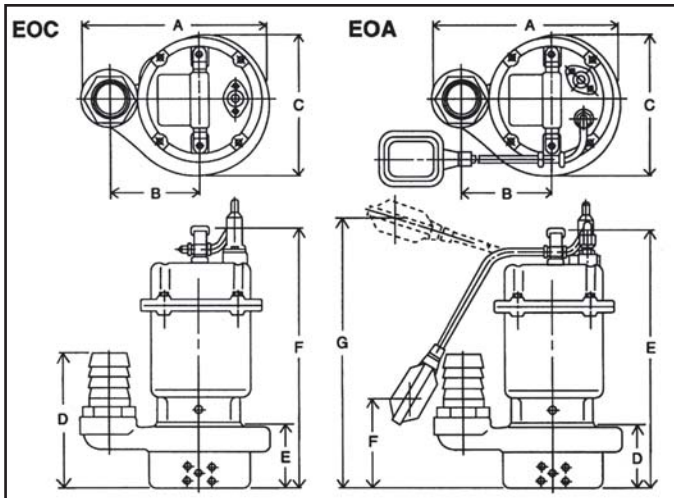
## EOC - EOA SERIES PUMPS

### GENERAL DEWATERING SUBMERSIBLE PUMPS

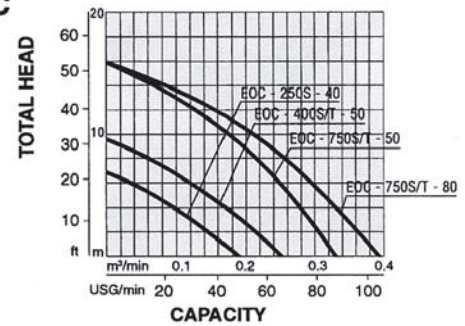


ITEM		Discharge bore size mm	50	80
Pumping Fluid	Type of Fluid	Rain water, Ground water, Sand carrying water		
	Liquid Temperature	0 - 40°C		
Pump	Components	Impeller	Open type	
		Shaft Seal	Double mechanical seal	
		Bearing	Shielded ball bearing	
	Materials	Impeller	Cast Iron	
Casing		Cast Iron		
	Shaft Seal (Mechanical Seal)	Ceramic carbon		
Motor	Types , poles		Dry-type submersible induction motor, 2 poles	
	Insulation		Class E	
	Phase/Voltage		Single phase/ Three phase 110V 60Hz 440V 60Hz 240V 50Hz 415V 50Hz	
	Motor protector (built in)		Circle thermal protector	
	Materials	Frame	Cast Iron	
		Shaft	Stainless steel #403	
Cable		VCTF		
Discharge connection		Hose coupling		

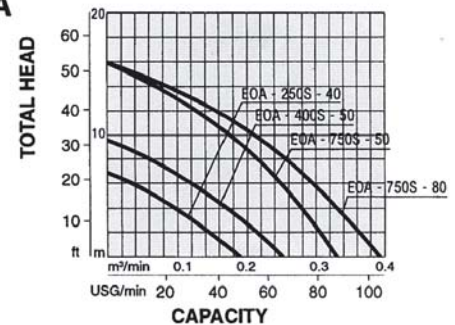
### DIMENSIONS



### EOC



### EOA



### SPECIFICATIONS

TYPE	Power	Phase	Volt	Disch Dia	Max Head	Max Flow	Cable	Weight	A	B	C	D	E	F	G
	KW(HP)	PH	V	inch(mm)	M	M <sup>3</sup> /MIN	mm <sup>2</sup> x M	KG	mm	mm	mm	mm	mm	mm	
EOC-250S-40	0.25(1/3)	1	100-240	1 1/2"(40)	7	0.2	1.25 <sup>5</sup> x 6	15	225	110	170	163	80	350	
EOC-400S-50	0.4(1/2)	1	100-240	2"(50)	10	0.24	1.25 <sup>5</sup> x 6	18	225	120	190	165	85	410	
EOC-400T-50		3	200-460	2"(50)											
EOC-750S-50	0.75(1)	1	100-240	2"(50)	16	0.34	1.25 <sup>5</sup> x 6	26	225	120	190	165	85	430	
EOC-750T-50		3	200-460												
EOC-750S-80		1	100-240	3"(80)											16
EOC-750T-80	3	200-460													
EOA-250S-40	0.25(1/3)	1	100-240	1 1/2"(40)	7	0.2	1.25 <sup>5</sup> x 6	15	225	110	170	80	350	85	400
EOA-400S-50	0.4(1/2)	1	100-240	2"(50)	10	0.24	1.25 <sup>5</sup> x 6	18	255	120	190	85	410	90	460
EOA-750S-80		1	100-240	2"(50)											
EOA-750S-80	0.75(1)	1	100-240	3"(80)	16	0.4	1.25 <sup>5</sup> x 6	28	310	155	210	95	430	100	480
EOA-750S-80		1	100-240												

### DIMENSIONS